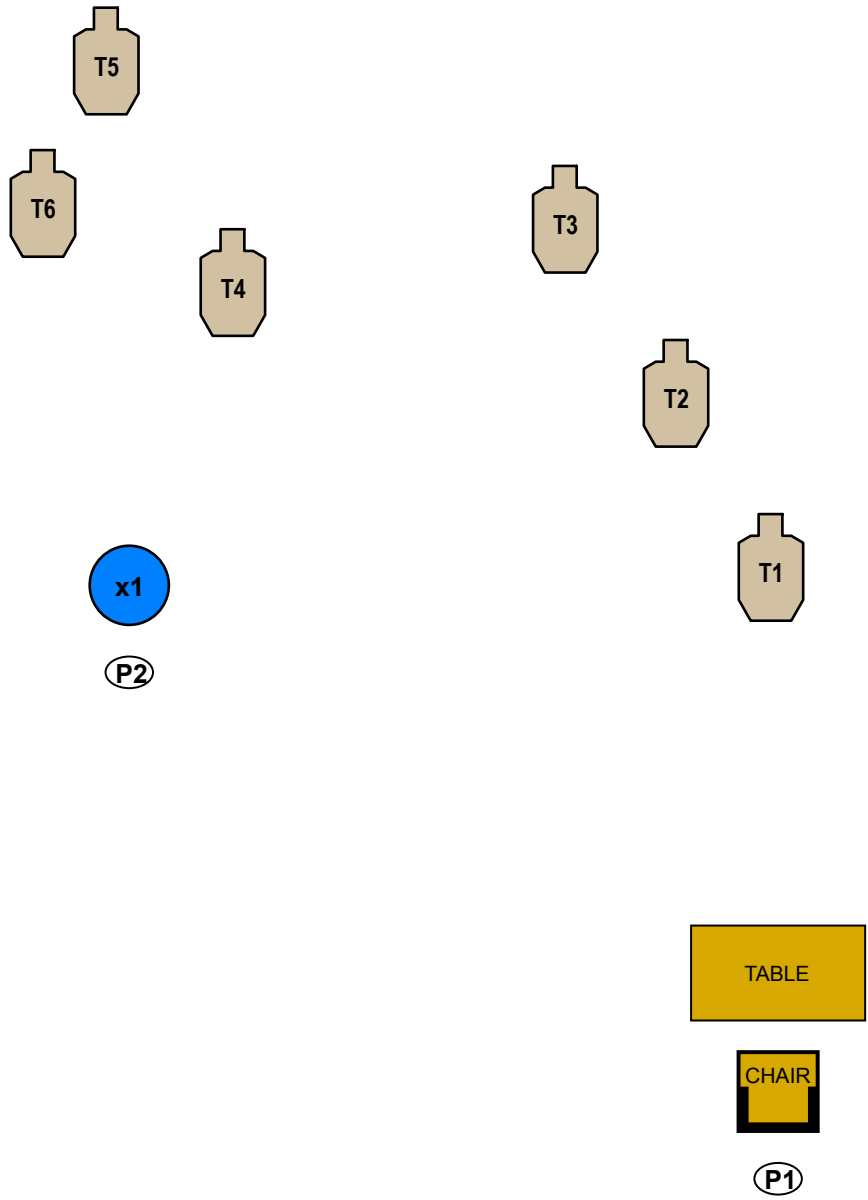




## Tri-County Sportsman's League IDPA Scenario A Day at the Range

**09-25-10  
Stage 1**

You are alone at range sighting in a new blaster when bad guys decide to try to take your guns.



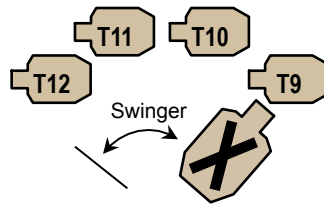
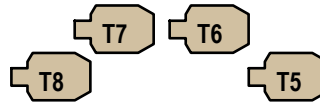
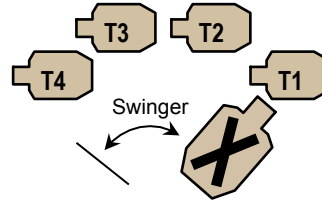
<b>Concealment:</b>	Yes	<b>Pistol:</b>	On V in rest	<b>Scoring:</b>	Vickers
<b>Style:</b>	Freestyle	<b>Reload:</b>	IDPA approved	<b>Min. Rounds:</b>	12
<b>Start:</b>	Seated at bench, gun loaded with 6 rounds only, muzzle resting in V on bench rest.				
<b>At Signal:</b>	Engage T1 –T6 with 2 rounds each in tactical priority. Once reaching P2, you must use low cover. After the reload, all remaining targets must be engaged weak hand only.				
<b>**Notes:</b>	T1-T3 may be engaged at P1 seated or standing, or while moving to P2. All reloads begin and end behind cover.				



## Tri-County Sportsman's League IDPA Scenario Who let the dogs out?

09-25-10  
Stage 2

A pack of wild dogs starts menacing your buddy. He panics and starts running, and you must shoot the dogs as they chase him



(P1)

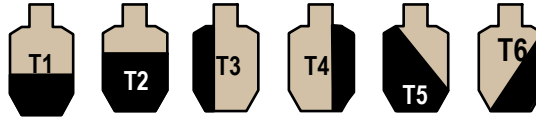
<b>Concealment:</b>	Yes	<b>Pistol:</b>	Holstered	<b>Scoring:</b>	Vickers
<b>Style:</b>	Freestyle	<b>Reload:</b>	IDPA approved	<b>Min. Rounds:</b>	12
<b>Start:</b>	Holding stick in both hands.				
<b>At Signal:</b>	Activate swingers and draw and engage T1-T12 with 1 round each as they chase your buddy. Engage far group to near group (as if they were chasing him). The 4 dogs in each group may be engaged in any order.				
<b>**Notes:</b>	Dog targets are standard IDPA targets with 3 zone removed				



Tri-County Sportsman's League IDPA Scenario  
Hardcover skills drill

09-25-10  
Stage 3

A good skills drill



**P3** 5 yards

**P2** 7 yards

**P1** 10 yards

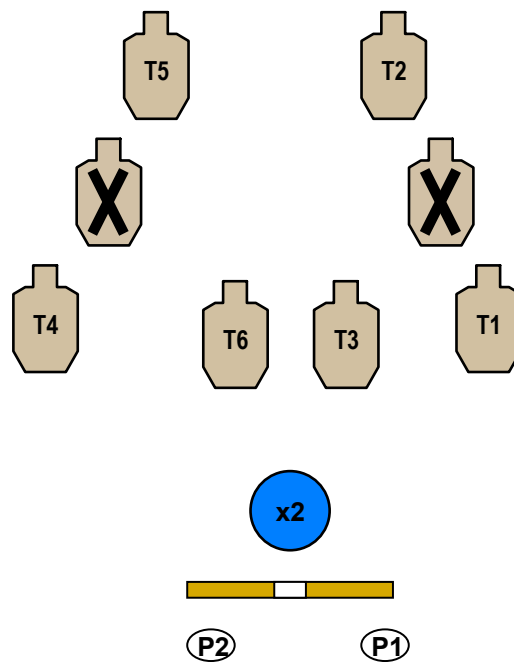
<b>Concealment:</b>	Yes	<b>Pistol:</b>	Holstered	<b>Scoring:</b>	Limited Vickers
<b>Style:</b>	Freestyle	<b>Reload:</b>	IDPA approved	<b>Min. Rounds:</b>	18
<b>Start:</b>	Hands at side at P1.				
<b>At Signal:</b>	Engage T1-T6 from P1 with 1 shot each - FREESTYLE Engage T1-T6 from P2 with 1 shot each – STRONG HAND ONLY Engage T1-T6 from P3 with 1 shot each – WEAK HAND ONLY				
<b>**Notes:</b>	Use IDPA legal reloads. Reloads may be done anytime during COF.				



Tri-County Sportsman's League IDPA Scenario  
 Can I bite em? Can I bite em now?

09-25-10  
 Stage 4

You are out walking you newly trained guard dog when you stop to talk to a neighbor about the new drug problem in your neighborhood. Just then, a shootout erupts between two gangs. You can't drop the dog leash because of the neighbor.



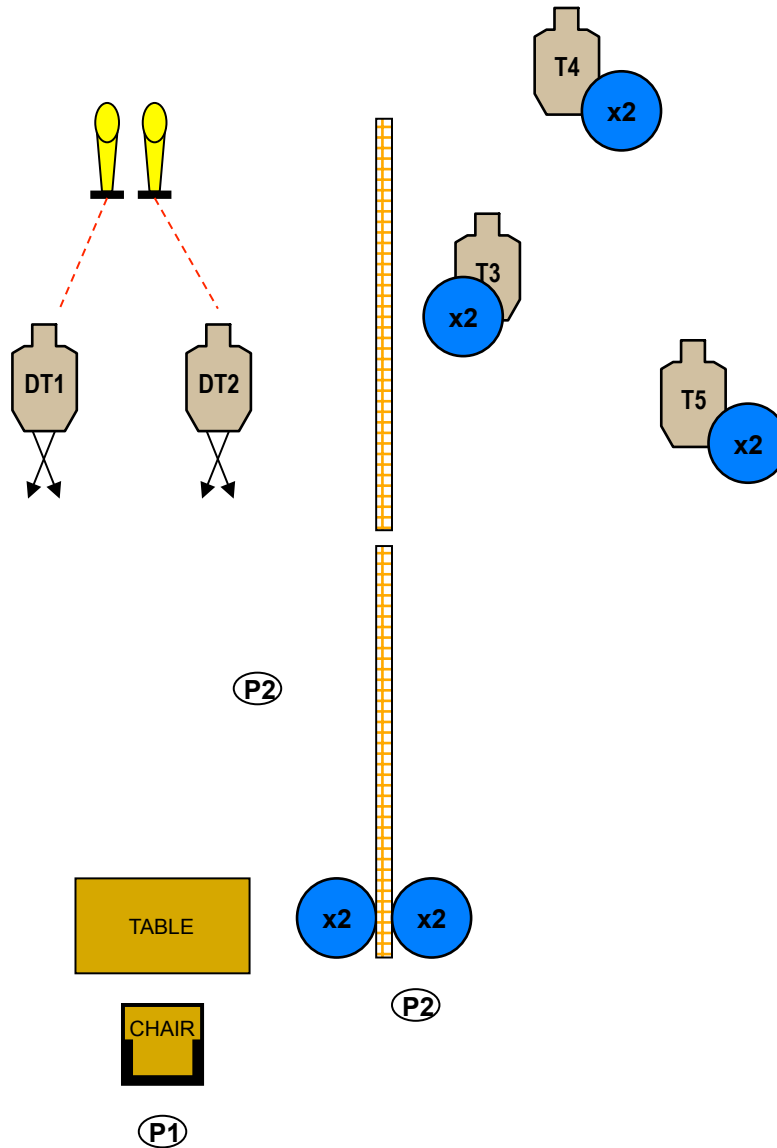
<b>Concealment:</b>	Yes	<b>Pistol:</b>	Holstered	<b>Scoring:</b>	Vickers
<b>Style:</b>	Freestyle	<b>Reload:</b>	IDPA approved	<b>Min. Rounds:</b>	12
<b>Start:</b>	Next to wall with weak hand holding dog leash.				
<b>At Signal:</b>	Draw and engage T1-T6 with 2 rounds each, strong hand only. The leash must be in hand and dog secured during all shots fired. It may be dropped for reloads and malfunction clearance				
<b>**Notes:</b>					



## Tri-County Sportsman's League IDPA Scenario The Office

09-25-10  
Stage 5

You are the only person working at a college admissions office. You hear shooting in the hall just as several people barge into your office with guns.



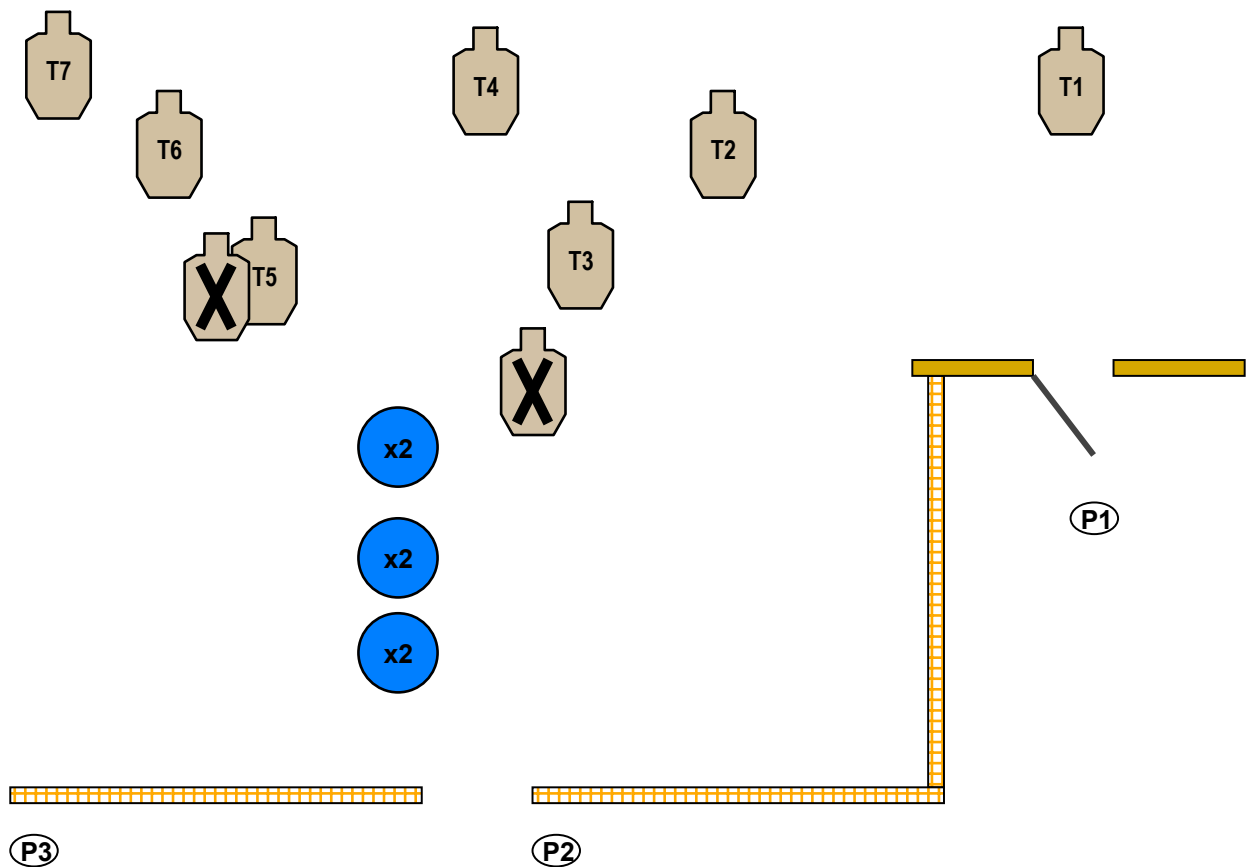
<b>Concealment:</b>	Yes	<b>Pistol:</b>	In IDPA Box	<b>Scoring:</b>	Vickers
<b>Style:</b>	Freestyle	<b>Reload:</b>	IDPA approved	<b>Min. Rounds:</b>	12
<b>Start:</b>	Seated at desk. Gun loaded in IDPA Box. All spare ammo on desk.				
<b>At Signal:</b>	Retrieve gun and engage two pepper poppers and drop turner 1 and 2 in any order. Move to P2 and engage all remaining targets with 2 round each in tactical priority.				
<b>**Notes:</b>	Pepper Poppers and drop turners may be engaged at P1 seated or standing.				



## Tri-County Sportsman's League IDPA Scenario Nimble Little Bugger

**09-25-10**  
**Stage 6**

You are opening the bedroom door when a burglar attacks you through the doorway. You engage him, then hear his buddies charging through the house



<b>Concealment:</b>	Yes	<b>Pistol:</b>	Holstered	<b>Scoring:</b>	Vickers
<b>Style:</b>	Freestyle	<b>Reload:</b>	IDPA approved	<b>Min. Rounds:</b>	18
<b>Start:</b>	Hands at side facing door at P1.				
<b>At Signal:</b>	Open door and engage T1 with a minimum of 6 rounds while retreating. Move to P2 and engage T2-T4 with 2 rounds each in tactical priority. Move to P3 and engage T5-T7 in tactical priority.				
<b>**Notes:</b>					